

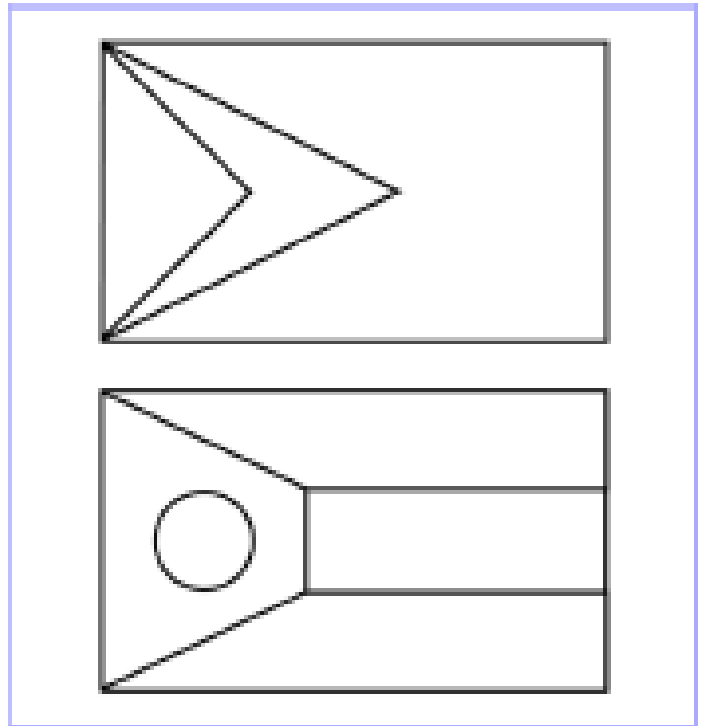
KS3 maths Home Learning Week 24: Flag Inquiry

The usual size of a flag for domestic use (for those of you with your own flagpole) is 3 feet high (hoist) by 5 feet wide (fly).

If these two flags are standard domestic size, please calculate the area of each part of each flag as accurately as possible.

You might wish to do some, all or none of the following to help you to be successful:

- Work in feet and inches
- Convert to metric measures
- Draw the flags to actual size
- Draw the flags to scale
- Revise the names of the 2D shapes (polygons) included in each flag
- Revise how to find the area of each of the polygons on each flag



KS3 maths Home Learning Week 24: Flag Inquiry

The usual size of a flag for domestic use (for those of you with your own flagpole) is 3 feet high (hoist) by 5 feet wide (fly).

If these two flags are standard domestic size, please calculate the area of each part of each flag as accurately as possible.

You might wish to do some, all or none of the following to help you to be successful:

- Work in feet and inches
- Convert to metric measures
- Draw the flags to actual size
- Draw the flags to scale
- Revise the names of the 2D shapes (polygons) included in each flag
- Revise how to find the area of each of the polygons on each flag

