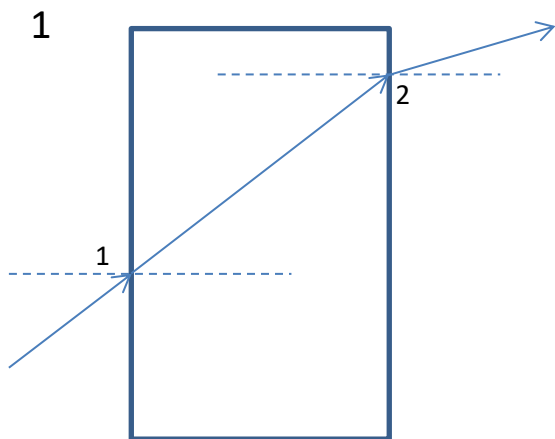


# Refraction problems. Work out what happens as light travels from air into a glass block

Students to complete the attached sheet. This is due in Thurs 9/5/19 for 8T and Fri 10/5/19 for everyone else. Help is available Wed lunch times with Ms Sanders



## At interface 1

Does the light speed up or slow down?

Will the light bend towards or away from the normal?

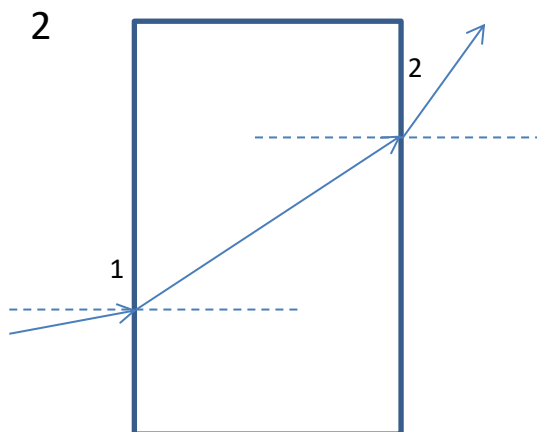
Is interface one correct?

## At interface 2

Does the light speed up or slow down?

Will the light bend towards or away from the normal?

Is interface 2 correct?



## At interface 1

Does the light speed up or slow down?

Will the light bend towards or away from the normal?

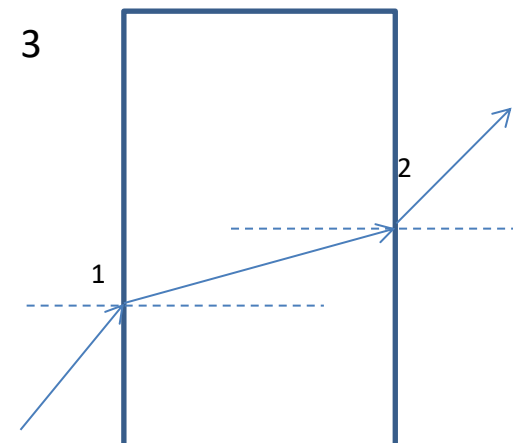
Is interface one correct?

## At interface 2

Does the light speed up or slow down?

Will the light bend towards or away from the normal?

Is interface 2 correct?



## At interface 1

Does the light speed up or slow down?

Will the light bend towards or away from the normal?

Is interface one correct?

## At interface 2

Does the light speed up or slow down?

Will the light bend towards or away from the normal?

Is interface 2 correct?